

Bostrom[®]

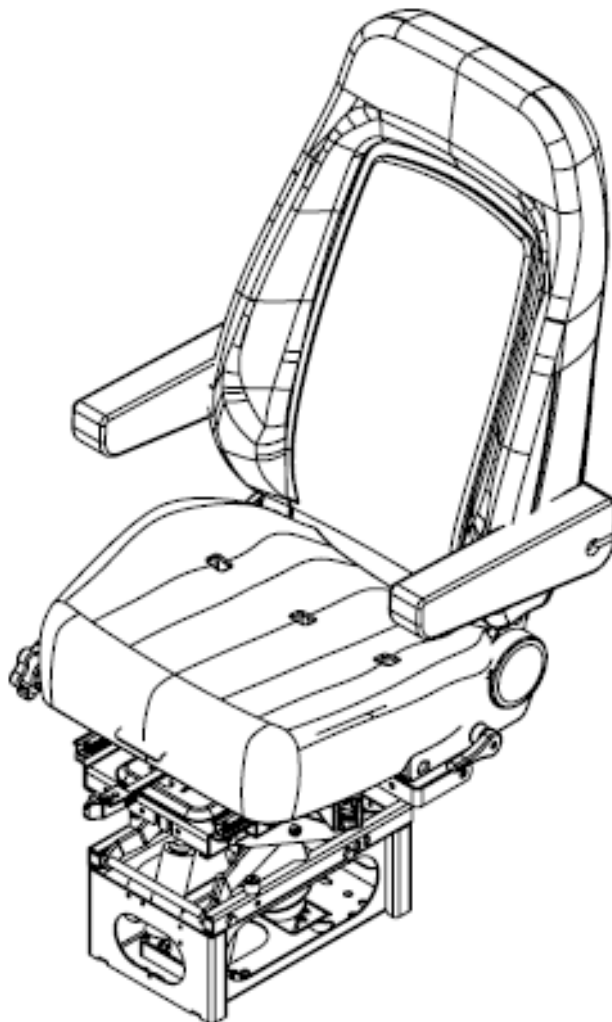
S E A T I N G

PATRIOT SEAT[™]

MECHANICAL LUMBAR, DUAL ARMRESTS, STOWABLE ARMREST,
ACCORDION SUSPENSION COVER

OPERATION AND SERVICE PARTS MANUAL

This seat conforms to
FMVSS 207 and 302 in effect
on the date of manufacture



CATALOG NO.
1205205-001
©2017 CVG ALABAMA, LLC.
REV B -09/17

OPERATION WARNING

WARNING

SERIOUS INJURY MAY OCCUR IF HEAD CLEARANCE IS NOT ADEQUATE. BEFORE DRIVING OR RIDING IN VEHICLE, ENSURE THAT THERE IS ADEQUATE HEAD CLEARANCE AT THE MAXIMUM UPWARD TRAVEL OF SEAT. SEE OPERATION MANUAL.

To check for adequate head clearance, sit in the seat and slowly raise it to its maximum upward position (See Comfort Adjustments).

SEAT BELTS SHOULD BE WORN AT ALL TIMES WHEN OPERATING THE VEHICLE.

Federal Motor Vehicle Safety Standard

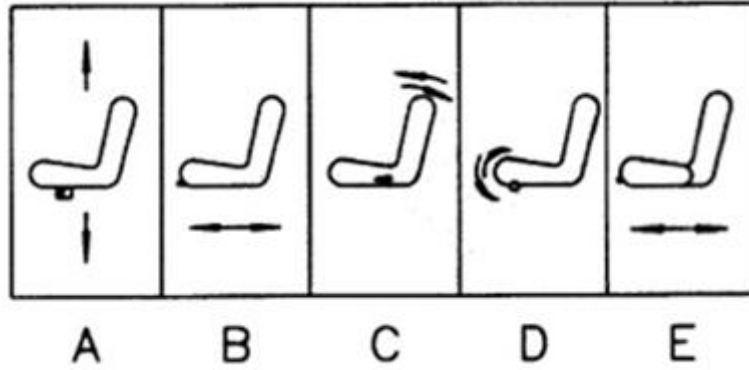
This seat conforms to Federal Motor Vehicle Safety Standards (FMVSS) 207 and 302 in effect on the date of manufacture.

It is the responsibility of the installer to ensure that the proper seat fastening hardware and seat belt anchorages (seat belt and tether belt system) are used in accordance with FMVSS 209 and 210.

To achieve compliance with FMVSS 207, use only high-strength fasteners and heavy-duty washers, or high-strength flange head bolts when installing the seat assembly

COMFORT ADJUSTMENTS

After installation the following comfort adjustments
Can be made to ensure the best performance.



D-SEAT CUSHION TILT ADJUSTMENT

Rotate seat tilt knob to decrease or increase seat tilt.

B - FORE AND AFT SEAT POSITION ADJUSTMENT

Hold lever to left to adjust seat position forward or backward. Isolation is provided when lever is in center (Straight forward) position.

E- CUSHION EXTENSION

To adjust seat cushion Fore and aft push handle to left and slide cushion to desired position.

C - BACK ANGLE ADJUSTMENT

Lean forward slightly to remove pressure from seat back, pull handle upward to adjust to any position within range.

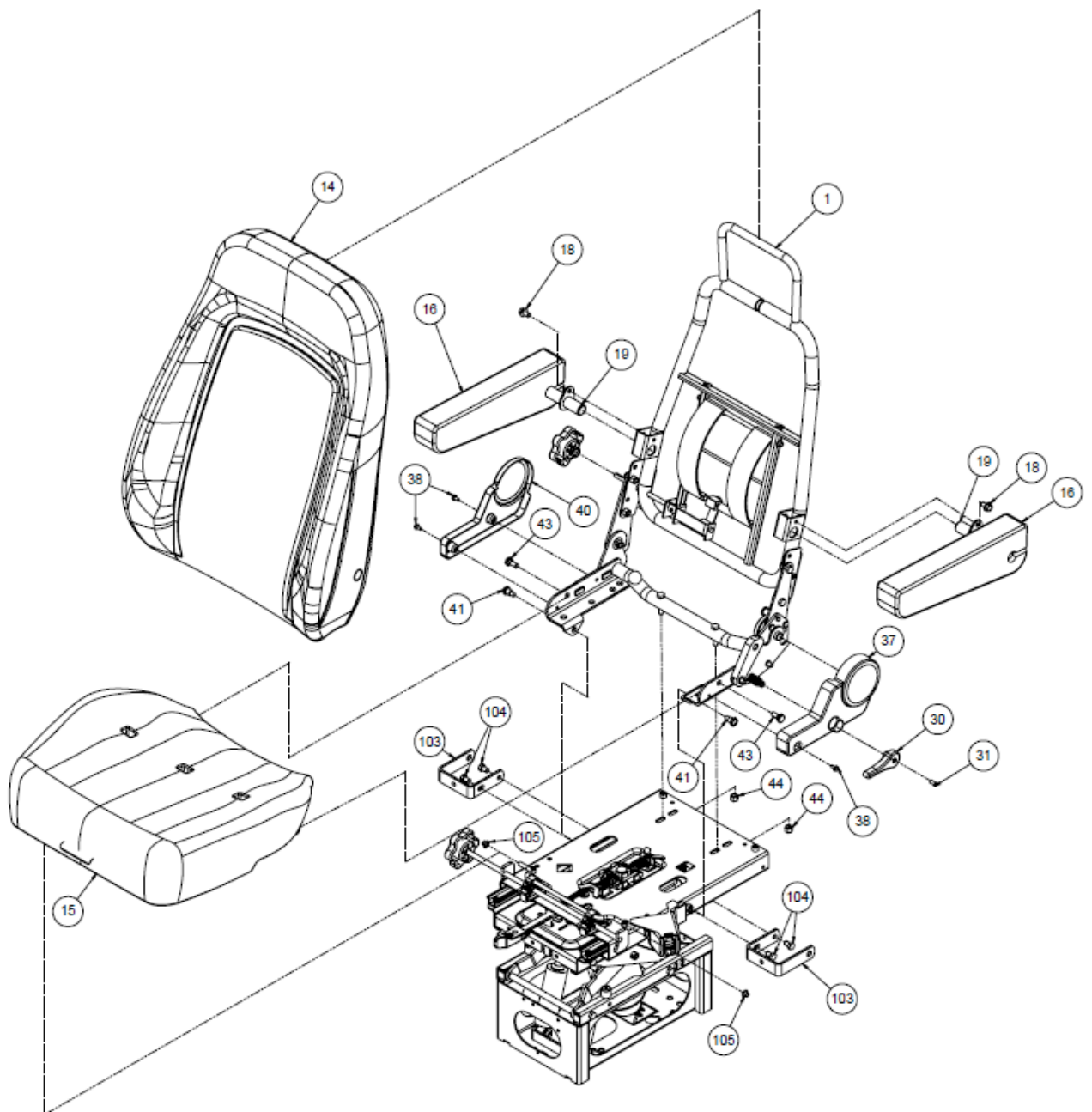
A - WEIGHT AND HEIGHT ADJUSTMENT

To raise seat, push the air valve lever upwards. To lower seat, push the air valve lever downwards. When adjusted properly and under normal driving conditions, the seat should not top nor bottom against the end limits of the vertical travel. Adjusted height position should aide driver's visibility and vehicle control.

ILLUSTRATED PARTS BREAKDOWN

SUSPENSION WITH HEAVY DUTY DAMPER AND UPPER WITH MECHANICAL LUMBAR

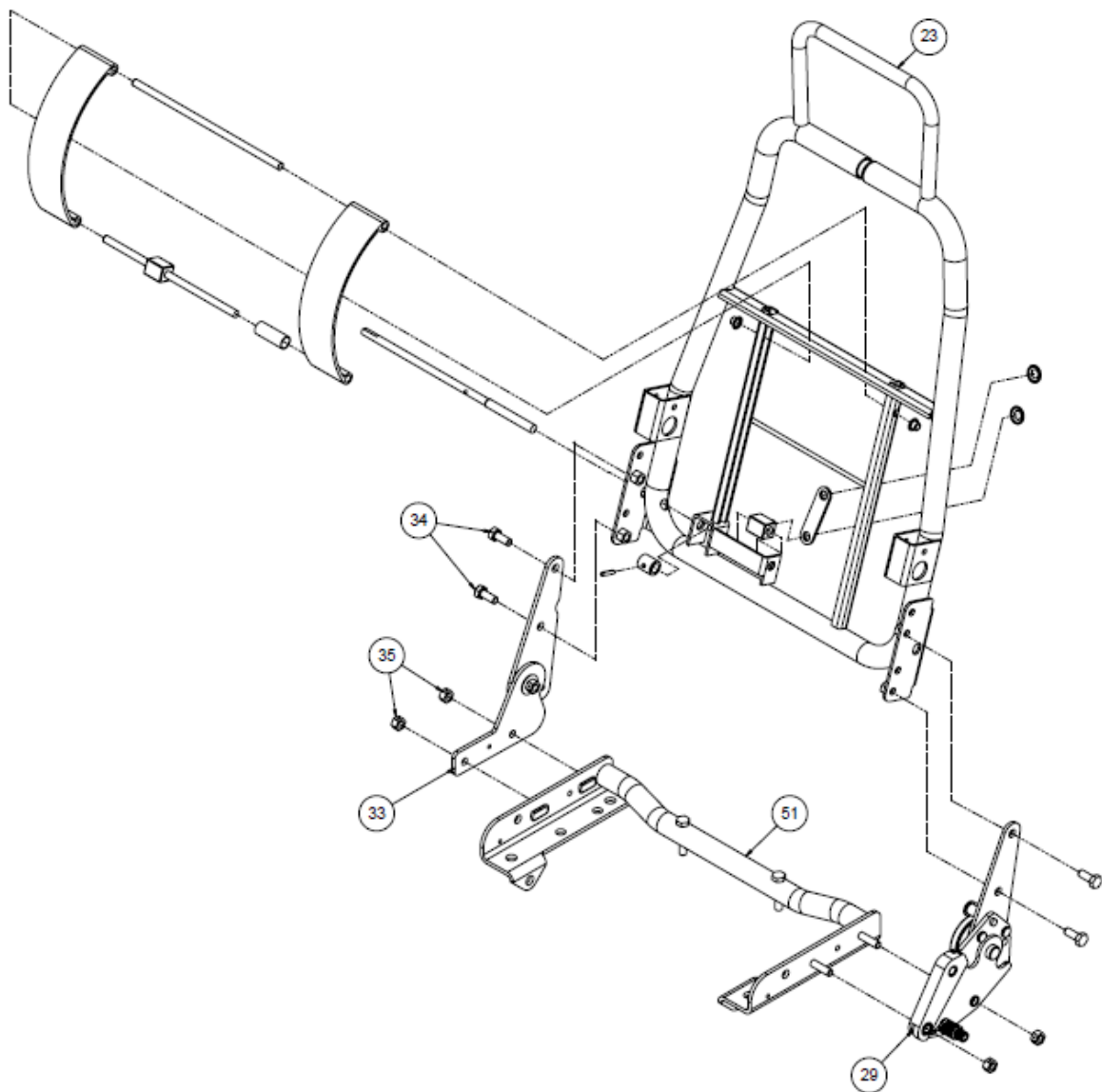
ITEM(S)	TORQUE SPECIFICATION
31	$2.8 \pm 0.28 \text{ Nm} / 25.0 \pm 2.5 \text{ IN LB}$
38	$429.3 \pm 79.0 \text{ N-cm} / 38.0 \pm 7.0 \text{ IN LB}$
41	$52.0 \pm 5.0 \text{ Nm} / 38.0 \pm 4.0 \text{ LB FT}$
43,44,104	$27.0 \pm 2.0 \text{ Nm} / 20.0 \pm 2.0 \text{ LB FT}$



ILLUSTRATED PARTS BREAKDOWN

FRAME ASSEMBLY WITH MECHANICA LUMBAR

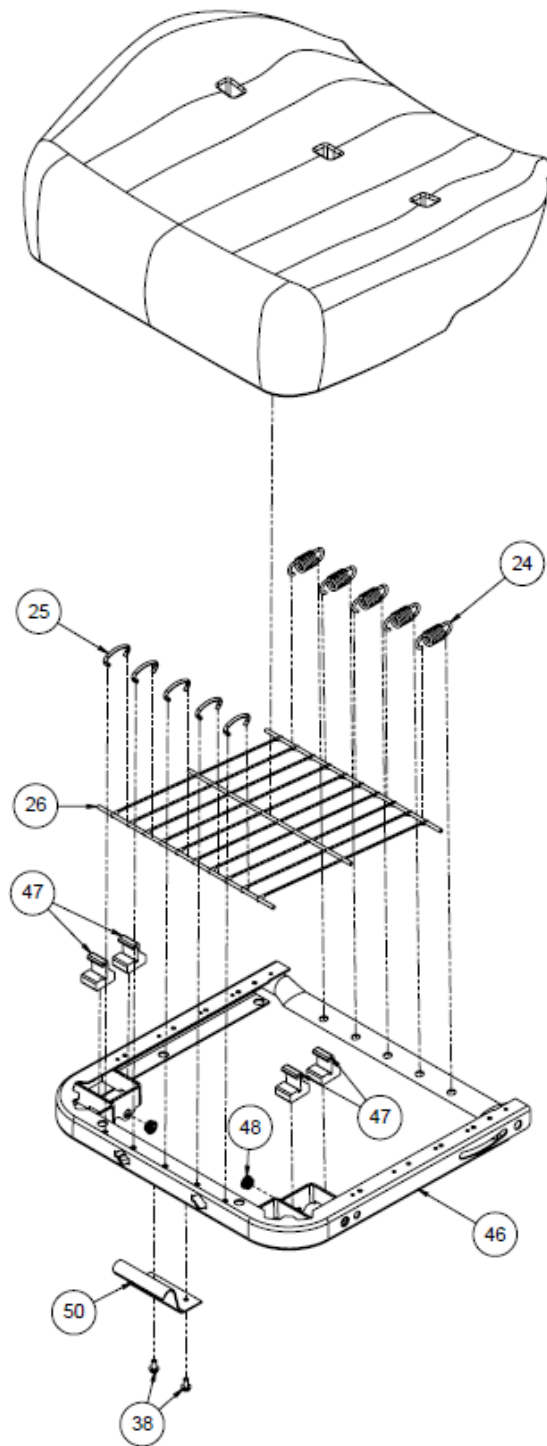
ITEM(S)	TORQUE SPECIFICATION
34	$33.0 \pm 3.3 \text{ Nm} / 25.0 \pm 2.5 \text{ LB FT}$
35	$24.0 \pm 2.4 \text{ Nm} / 18.0 \pm 1.8 \text{ LB FT}$



ILLUSTRATED PARTS BREAKDOWN

ADJUSTABLE SEAT CUSHION ASSEMBLY

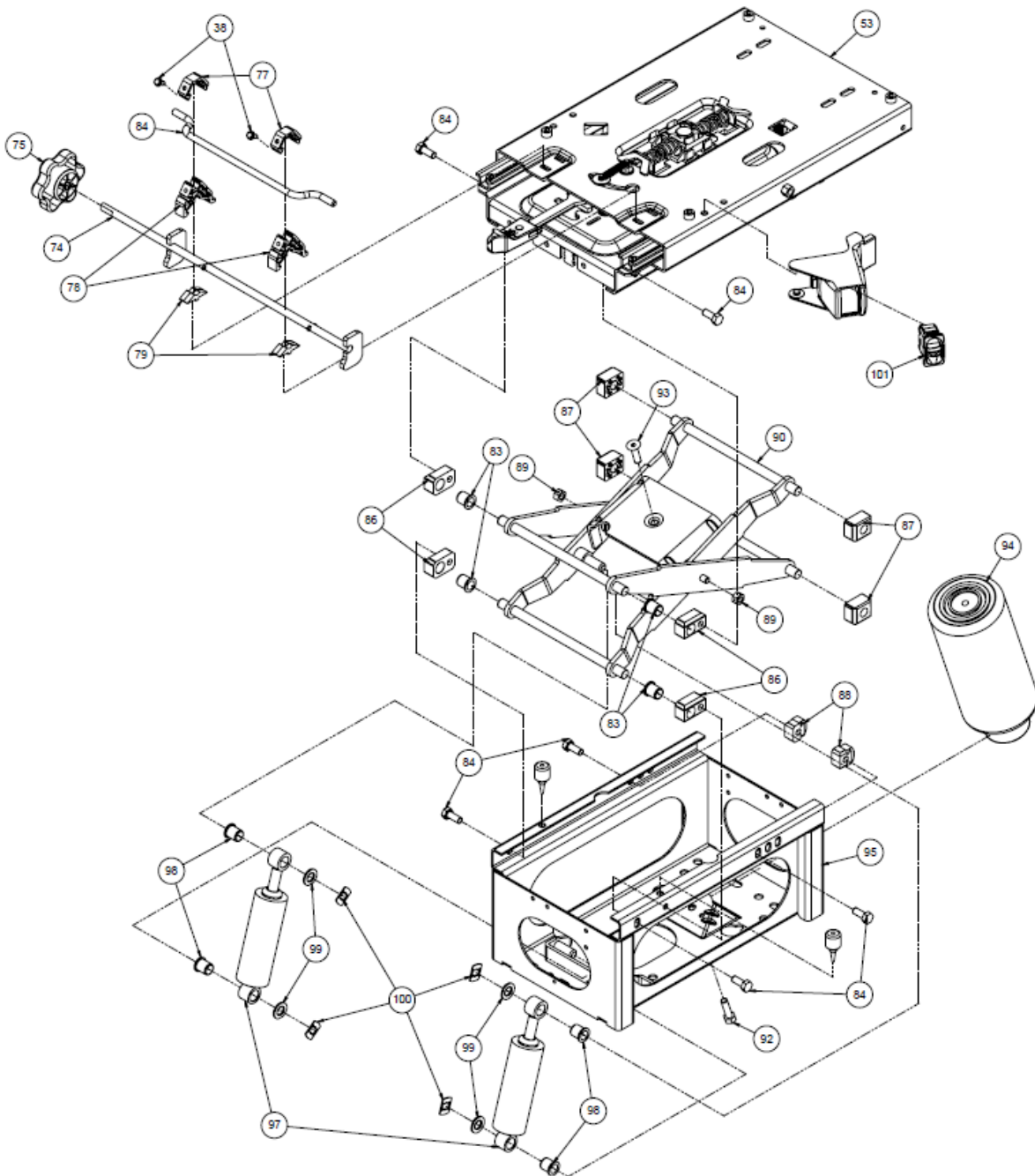
ITEM(S)	TORQUE SPECIFICATION
38	429.3 ± 79.0 N-cm/38.0 ± 7.0 IN LB



ILLUSTRATED PARTS BREAKDOWN

HEAVY DUTY DAMPER AND MECHANICAL LUMBAR MODULE

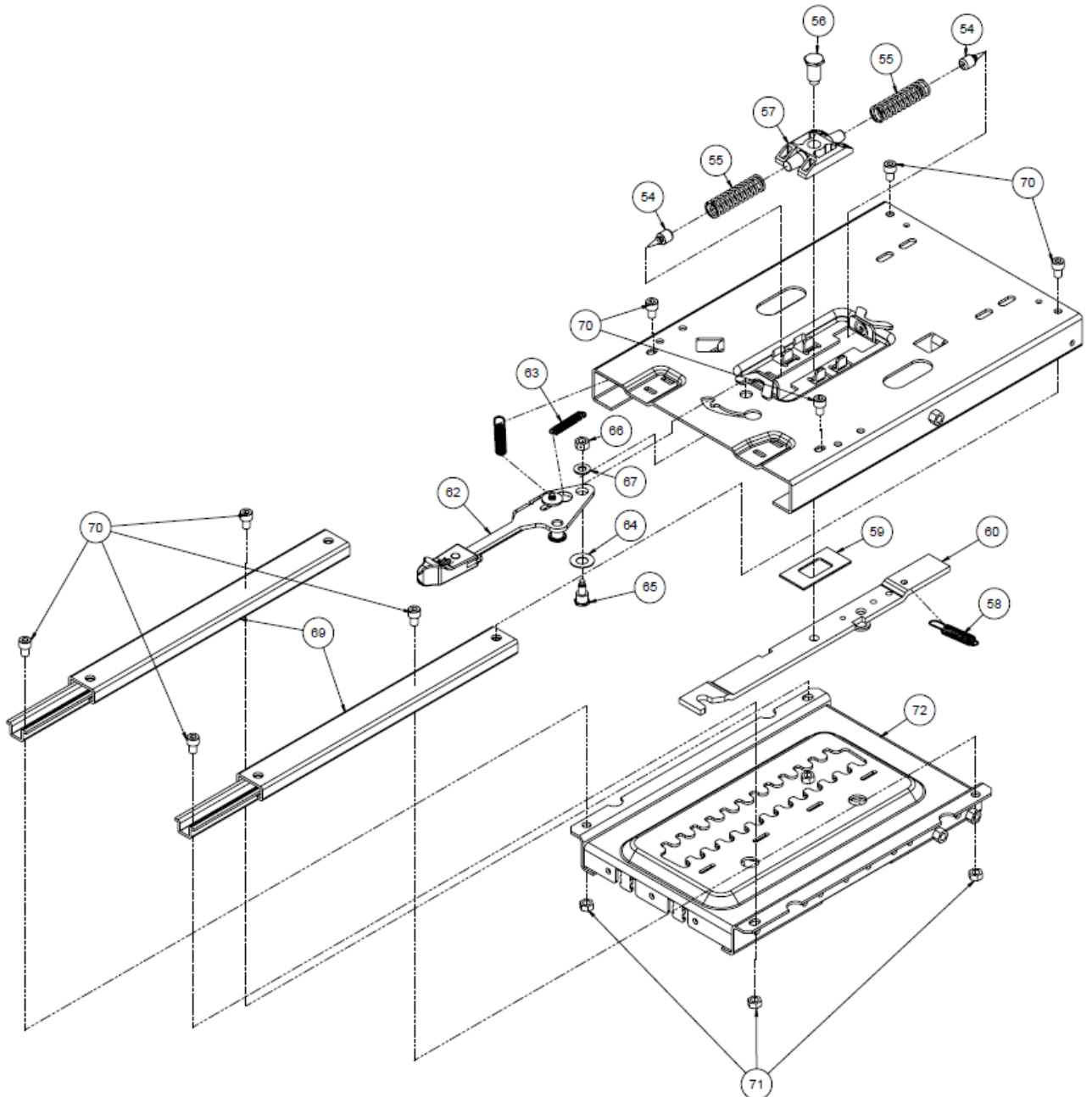
ITEM(S)	TORQUE SPECIFICATION
38	429.3 ± 79.0 N-cm/38.0 ± 7.0 IN LB
84	33.0 ± 3.3 Nm/25.0 ± 2.5 LB FT
92,93	8.0 ± 1.0 Nm/6.0 ± 1.0 LB FT



ILLUSTRATED PARTS BREAKDOWN

ISOLATOR ASSEMBLY

ITEM(S)	TORQUE SPECIFICATION
56	41.0 ± 5.4 Nm/30.0 ± 4.0 LB FT
66	18.0 ± 1.8 Nm/13.0 ± 1.3LB FT
70	24.0 ± 2.4 Nm/18.0 ± 1.8 LB FT



PARTS REPLACEMENT LIST

HIGH PROFILE / HIGH BACK SUSPENSION SEAT

ORDERING INSTRUCTIONS: Order by Part Number, NOT Reference Number.

HOW TO USE: Find the corresponding part that you wish to replace on the enlarged view illustration and note its reference number. Refer to list below and record part number, quantity required, and description. Order covers pad kits or armrests by color and material.

ORDER FROM: Your truck dealer or Bostrom Authorized Distributor for your area.

REF NO	PART NO	DESCRIPTION	QTY	REF NO	PART NO	DESCRIPTION	QTY
				30.	*	Recliner Handle	1
1.	6204447-001	Back Frame Assy-High With ParaBar II Lumbar Includes items 1, 3-12,29-31,33-35,49	1	31.	*	Screw M6x1.0 Type 1	1
2.	6222137-001	Para Bar II Lumbar Kit Includes Items' 3-12 (not shown)	1	32.	6203365-001	Hinge Assy. Includes Items 33-35	
3.	*	Lumbar Support Shaft	1	33.	*	Hinge Assembly	1
4.	*	Lumbar Slide Shaft	1	34.	*	Screw Cap	2
5.	*	Lumbar Adj. Block	1	35.	*	Nut Hex M8x1.25 LK CL	2
6.	*	Lumbar Adj. Shaft	1	36.	6204419-001	Side Shield LH, Includes Items 37-38	
7.	*	Lumbar Spring	2	37.	*	Side Shield LH	1
8.	*	Lumbar Linkage	1	38.	*	Screw Thread Cut #10.24	1
9.	*	Push Nut 3/8"	2	39.	6204420-001	Side Shield RH, Includes Items 38 and 40	
10.	*	Push Nut 5/16"	2	40.	*	Side Shield RH	
11.	*	Spacer	1	41.	6204431-001	Bolt M10 x 1.5 Pivot	2
12.	*	Roll Pin	1	42.	6222007-001	Kit Fastener Seat Mounting, Includes Items 43, and 44	
13.	6222274-XXX	Covered Mechanical Lumbar Frame (not shown)	1	43.	*	Shoulder Bolt	2
14.	6204468-001	Pad Foam High Back	1	44.	*	Nut M8 x 1.25	2
15.	6204400-001	Pad Seat Foam	1	45.	6222281-001	Seat Frame Assy., Includes Items 24-26, and 46-48	
16.	6222117-001	Armrest Shaft Kit, Includes items 17-19 (optional)	1	46.	*	Seat Frame Weldment	1
17.	6222159-001	Armrest Insert (not shown)	1	47.	6200408-002	Slide Block	4
18.	*	Screw 5/16 x 1/2 hex tap	1	48.	*	Bearing Sleeve	2
19.	*	Armrest Shaft	1	49.	6204433-001	Handle Cushion Ext., Includes Items 38, and 50	
20.	6203406-001	Back Restriction Kit, Includes Items 21, 22 (Not Shown)	1	50.	*	Handle Cushion Ext.	
21.	*	Stop Block	1	51.	6203893-002	Weldment Mtg Seat Frame, Includes Items 41, and 51	1
22.	*	Screw 10-32	1	52.	6202071-002	Isolator Assy-Non Swivel, Includes Items 54-60, 62-67, and 69-71	
23.	6204446-001	Back Frame Weldment with Mech Lumbar	1	53.	6222133-001	Isolator Spring Kit, Includes Items 54-60	
24.	*	Flex-o-lator Spring	5	54.	*	Rubber Bumper	2
25.	*	Flex-o-lator Clip	5	55.	*	Isolator Spring	2
26.	*	Flex-o-lator Support (Grid)	1	56.	*	Shoulder Bolt M10 x 1.50	1
27.	**	Armrest Assembly (Optional) Includes Items 17-19	1	57.	*	Pivot Block Assy.	1
28.	6203366-001	Recliner Assy, Includes Items 29-31		58.	*	Latch Spring	2
29.	*	Recliner Assembly	1	59.	*	Spacer	1
				60.	*	Latch Bar	1
				61.	6222072-001	Control Handle Kit, Includes Items 62-67	
				62.	*	Control Handle Assy.	1

REF NO	PART NO	DESCRIPTION	QTY	REF NO	PART NO	DESCRIPTION	QTY
63. *		Spring Lock Out	1	86. *		Bearing Block	4
64. *		Hex Head Shoulder Bolt	1	87. *		Slide Block	4
65. *		Belleville Washer	1	88. *		Stop Block Assembly	2
66. *		Hex Nut M8x1.25LK	1	89. *		Hex Nut M8x1.25LK	2
67. *		Washer	1	90. 6222111-001		Lever Assembly	1
68. 6222165-001		Slide Rail Kit, Includes Item 69-71		91. 6222086-001		Air Spring Kit, Includes Items 92-94	
69. *		Slide Rail	2	92. *		Screw Cap M8x30MM	1
70. *		Screw Socket HD M8x12	8	93. *		Screw Cap M8x1.25x25	1
71. *		Hex Nut M8	4	94. *		Air Spring Assembly	1
72. 6201570-001		Upper Plate	1	95. 6200390-001		Riser Assembly	1
73. 6222264-002		Tilt Rod Weldment, Includes Items 74, and 77-79		96. 6222082-001		Standard Damper Kit, includes 97-100	
74. *		Tilt Rod Weldment	1	97. *		Damper Assy.	1
75. 6200413-002		Lumbar / Tilt Rod Knob	1	98. *		Bearing Multilube	2
76. 6222269-001		Kit Upper / Lower Cush. Ext. Includes Items 42, 81-83		99. *		Washer	2
77. *		Clip Upper Cush Ext	2	100. *		Fastener	2
78. *		Clip Lower Cush Ext.	2	101. 6222207-001		Single Seat Valve	1
79. *		Clip Tilt Rod	2				
80. 6204441-001		Rod Cush. Ext.	1	102. 6222005-001		ICP Bracket Kit, Includes Items 103-104	
81. 6222076-001		Suspension Hardware Kit Includes Items 82-89		103. *		ICP Bracket	2
82. *		Rubber Bumper	2	104. *		Screw Cap M8x12MM	4
83. *		Bearing Multilube	4	105. 6200756-001		Push nut Washer	1
84. *		Screw Cap M8x20MM	6	106. 6204453-xxx		Trimmed Cushion Assembly (Not Shown)	1
85. *		Shoulder Bolt (Not Shown)	2				

* EXCEPT AS NOTED, KITS CONTAIN ALL ITEMS DENOTED BY ASTERISK LISTED BELOW EACH KIT NUMBER

** SEE YOUR DEALER OR BOSTROM AUTHORIZED DISTRIBUTOR FOR UPPER, ARMREST, SUSPENSION COVER OR COVER PAD KIT PART NUMBERS APPROPRIATE FOR YOUR SEAT.